

---

*Comfort-Aire*®

**Century**®



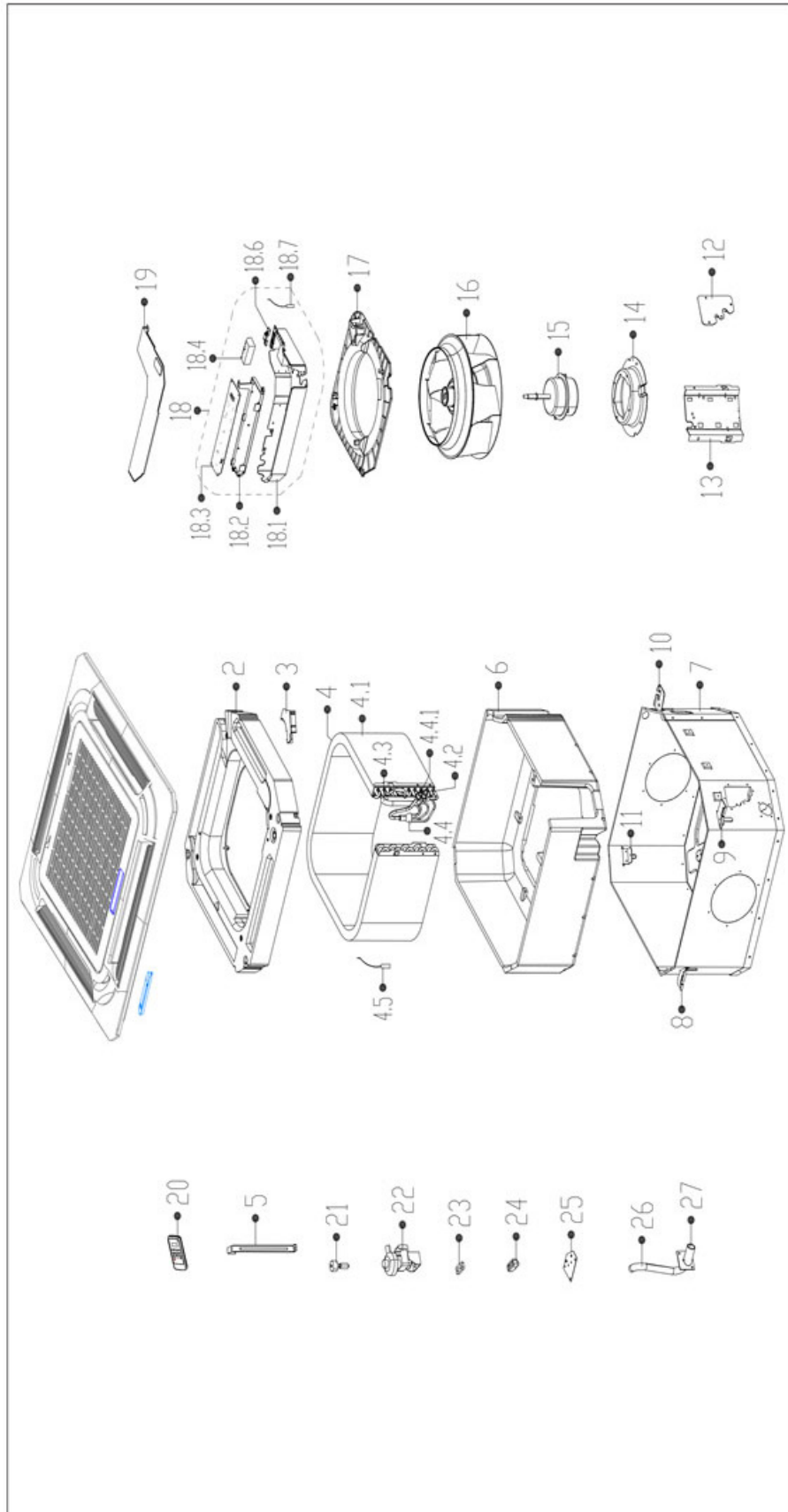
---

REPLACEMENT PARTS LIST

**Low Temperature Ductless  
Mini-Split Indoor Ceiling Cassette**

B-VMH18CU-1

# EXPLODED VIEW



## REPLACEMENT PARTS

Location	Part Name	Quantity	Part No.
2	Water collector assembly	1	12822500000017
3	Wire box	1	12122500000022
4	Evaporator assembly	1	15822500000499
4.1	Evaporator	1	15822500000400
4.2	Copper nut	1	15500406000012
4.3	Evaporator outlet pipe subassembly	1	15122500000226
4.4	Evaporator inlet pipe subassembly	1	15122500000277
4.4.1	Copper nut	1	15500406000016
4.5	Pipe Temperature Sensor	1	11201007000070
5	Evaporator fixing hanger	1	12222500000093
6	Base foam subassembly	1	12822500000005
7	Chassis Assembly	1	12222500000224
8	Hook	1	12222500000191
9	Hook	1	12222500000192
10	Hook	1	12222500000190
11	Hook	1	12222500000193
12	Pipe fixing board subassembly	1	12122500000330
13	Evaporator connecting board	1	12222500000197
14	Fan motor base	1	12222500000199
15	Brushless DC Motor	1	11002015000069
16	centrifuge fan	1	12100103000089
17	Ventilation ring	1	12122500000425
18	Electronic control box subassembly	1	17222500000094
18.1	Electronic control box	1	12222500000165
18.2	Insulation plate	1	12122500000029
18.3	Main control board subassembly	1	17122500000412
18.4	Wire joint	1	17400401000075
18.6	Clip	1	12200203000041
18.7	Room Temperature Sensor	1	11201007000283
19	control box cover	1	12222500000209
20	Remote controller	1	17317000A19587
21	Water Level Switch	1	17400511000015
22	Induction pump	1	11001010000063
23	Drain pump rubber washer	1	12622500000005
24	Drain pump rubber washer	1	12622500000003
25	Drain pump installation base	1	12222500000352
26	Rubber tube	1	12622500000012
27	Drain pipe	1	12100510000019
38	Bracket of remote Controller	1	12117000002114
43	Accessory kit	1	12026200A00001

---

Due to ongoing product improvements, specifications and dimensions are subject to change and correction without notice or incurring obligations. Determining the application and suitability for use of any product is the responsibility of the installer. Additionally, the installer is responsible for verifying dimensional data on the actual product prior to beginning any installation preparations.

Incentive and rebate programs have precise requirements as to product performance and certification. All products meet applicable regulations in effect on date of manufacture; however, certifications are not necessarily granted for the life of a product. Therefore, it is the responsibility of the applicant to determine whether a specific model qualifies for these incentive/rebate programs.

*Comfort-Cire*®  **Century**®

1900 Wellworth Ave., Jackson, MI 49203 • Ph. 517-787-2100 • [www.marsdelivers.com](http://www.marsdelivers.com)

